

Revision Notes			
R1 - NOTES UPDATED TO INCLUDE LABEL DETAILS, STANDARDS UPDATED AS PER ECR CR- A274.			
AP: A. KIIDA	Drawn: R. BATES	Checked: M. BUTLER	Approved: G. PLITH
			Date: 28/08/14

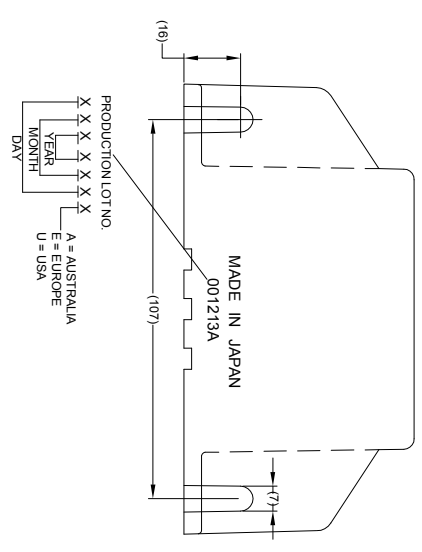
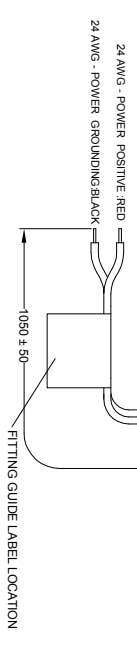
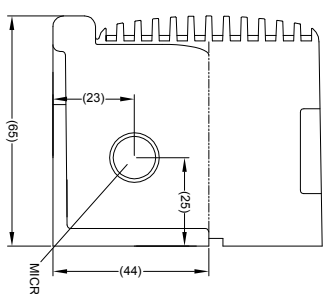
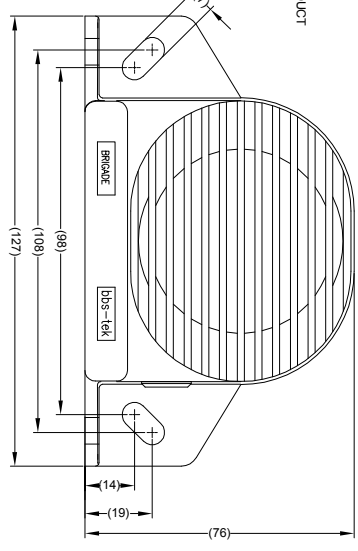
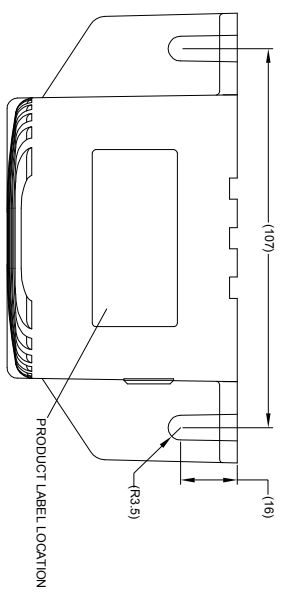
**SPECIFICATION**

1. RATED VOLTAGE : 36 48 80 VOLTS DIRECT CURRENT WORKING VOLTAGE RANGE 27THRU 94 VOLTS
2. TEST VOLTAGE : 42 56 94 VOLTS DIRECT CURRENT
3. RATED CURRENT : 1 AMPERES OR LESS
4. SOUND PRESSURE AT TEST VOLTAGE: MAX 97.4dB(A)  
MIN 77.4dB(A)

SOUND PRESSURE SELF-ADJUSTING : +5dB±4dB TO EXTERNAL NOISE 'BASE LINE'  
SOUND PRESSURE AT 27 94V : BASE LINE 1±4dB

**MEASUREMENT CONDITIONS**

1. MEASURE DISTANCE : 1.2m FROM A PRODUCT TO MIC
2. EXTERNAL NOISE FREQUENCY : 1kHz CONTINUOUS SOUND
3. EXTERNAL NOISE LEVEL : THE MEASURED VALUE AT THE MICROPHONE POSITION OF THE PRODUCT
4. TONE: WHITE SOUND BBS
5. INTERMITTENCE : 70±10 CYCLES PER MINUTE AT TEST VOLTAGES
6. RANGE OF OPERATING TEMP GUARANTEED: -40° C THRU 85° C
7. SOUND PRESSURE IMMEDIATELY AFTER EXAMINATION:  
SOUND PRESSURE AT TEST VOLTAGE : BASE LINE 1±4dB  
SOUND PRESSURE AT 27 94V : BASE LINE 2 ±4dB  
RETURN TO ROOM TEMPERATURE, AND SATISFY THE ABOVE 4,5 AND 6
8. ENVIRONMENT TESTS PER SAE J994.



- NOTES:**
1. MATERIAL HOUSING: ACRYLONITRILE ETHYLENE STYRENE (AES) PLASTIC.
  2. FOR PRODUCT LABEL REFER TO LATEST REVISION OF DRAWING BE-002833-XX-14.
  3. FOR GIFTBOX LABEL REFER TO LATEST REVISION OF DRAWING BE-002834-XX-14.
  4. "R" TRIANGLE INDICATES CHANGES MADE TO REVISION OF DRAWING AS IDENTIFIED IN REVISION NOTES.

**PROPRIETARY NOTICE**  
THIS DESIGN AND TECHNICAL INFORMATION APPEARING ON THIS DRAWING IS THE PROPERTY OF BRIGADE ELECTRONICS, AND IS DISCLOSED IN CONFIDENCE. IT IS NOT TO BE COPIED, REPRODUCED, REVEALED TO OR EXPLOITED BY OTHERS, EITHER IN WHOLE OR IN PART WITHOUT THE EXPRESS WRITTEN CONSENT OF BRIGADE ELECTRONICS.

**BRIGADE®**  
www.brigade-electronics.com

 Third Angle	<b>Assembly Pl Approval</b> KIIDA - 07/03/13	<b>Approved by</b> S.MATTHEWS	<b>Checked by</b> G.PLITH	<b>Drawn by</b> J.NEWMAN
	<b>Status</b> RELEASED	<b>Scale</b> N/A	<b>Released</b> 19/07/13	<b>Assembly Ref</b> BA 505-97HV
	<b>Part No</b> 1398	<b>SA-BBS-97HV</b> BE-001799-01-11		

1 2 3 4 5 6 7 8

H G F E D C B A